

125W Quartz Passthru

Application

Connect up to 8 permanent pressure gauges on a single conductor with DataCan's Multi-Gauge Quartz Passthru Tool. This tool comes in a standard version as well as a pressure testable version for quality assurance.

Benefits

The Multi-Gauge Passthru Quartz Tool is quick and easy to install and produces high quality well or reservoir data in real time. Its fully welded construction, dual protection metal to metal seal design, and hermetically sealed electronics, make it a very reliable gauge. Since it acts as both a gauge and a WYE splice, it helps reduce the cost of the permanent system while increasing reliability.

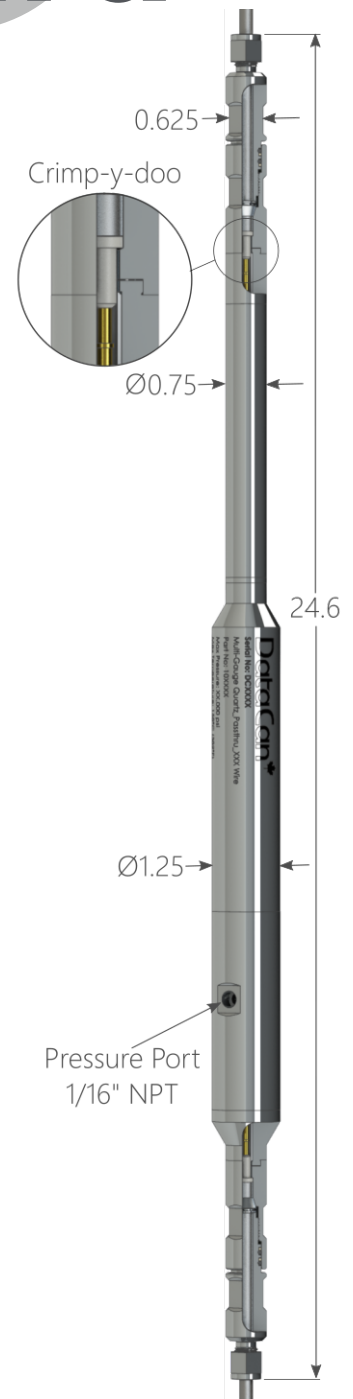
The Crimp-y-doo, at the heart of DataCan's new gauge design, ensures correct wire prep and prevents the TEC conductor from pulling up into the armor. If you find yourself assembling a gauge without a crimp-y-doo, you just better crimp-y-don't!

Features

- 8 Gauges on a Single Conductor
- No WYE Needed
- Fully Welded Construction
- Hermetically Sealed
- Dual Protection Metal to Metal Seal Design
- Corrosion Resistant - NACE MR0175

Multi-Gauge Quartz Passthru Pressure Tool - Standard

| Pressure | Temperature | Material | Part No. | | |
|------------|-------------|----------|-----------|-----------|----------|
| | | | 1/8" Wire | 1/4" Wire | 4mm Wire |
| 10,000 psi | 150°C | Inconel | 111608 | 111605 | 111611 |
| 16,000 psi | | | 111609 | 111606 | 111612 |
| 20,000 psi | | | 111610 | 111607 | 111613 |



Multi-Gauge Quartz Passthru Pressure Tool - Pressure Testable

| Pressure | Temperature | Material | Part No. | | |
|------------|-------------|----------|-----------|-----------|----------|
| | | | 1/8" Wire | 1/4" Wire | 4mm Wire |
| 10,000 psi | 150°C | Inconel | 112232 | 112229 | 112235 |
| 16,000 psi | | | 112233 | 112230 | 112236 |
| 20,000 psi | | | 112234 | 112231 | 112237 |

Accessories

| Accessory Type | Part No. | | |
|------------------|-----------|-----------|----------|
| | 1/8" Wire | 1/4" Wire | 4mm Wire |
| Redress Kit Sour | 112759 | 112757 | 112761 |

*Each Redress Kit is for one connection. Two kits are required to redress a Passthru Tool.

Specifications

| | Pressure | Temperature |
|----------------|----------------|----------------|
| Accuracy Up To | 0.022% F.S. | 0.25°C |
| Resolution | 0.00006% F.S. | 0.005°C |
| Drift | < 3 psi / year | < 0.1°C / year |

Manuals

[Permanent Downhole Gauge - User Manual](#)

